

BUFFALO GAUGE INC™

INSTRUMENTATION SERVICES

Your One Stop Instrument Shop



S215L LIQUID FILLED PANEL MOUNT

Our 'S215L' gauge is a heavy duty, high quality liquid filled gauge. The glycerine filling helps dampen the effects of pulsation and vibration, while also perpetually lubricating the movement, keeping contaminants such as dirt away from all moving parts, which will extend the life of the gauge.

Rugged enough for the trucking industry, these heavy duty gauges are designed to withstand abuse and extremes that are well in excess of what is normally seen in almost any other commercial or industrial applications. These gauges therefore are suitable for use in any application where process media is not corrosive to brass and bronze wetted parts, where glycerine filling is favorable for use.

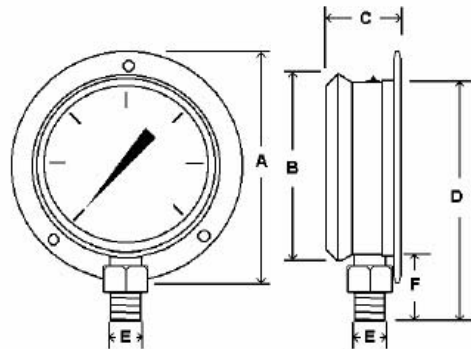
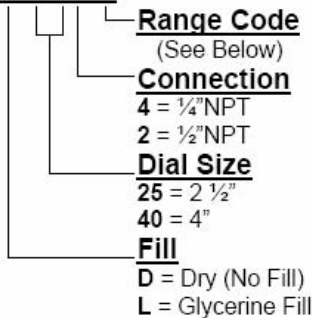
SPECIFICATIONS:

- **Dial Sizes:** 2 ½" or 4"
- **Connection Size:** 1/4"MNPT
- **Stainless Steel Case And Bezel**
- **Brass Internals and Connection** (with built-in snubber)
- **Phosphor Bronze Bourdon Tube**
- **Liquid Filled (Dry Available)**
- **Accuracy :** 2 ½"Dial Size = 1.5 %
4" Dial Size = 1 %
- **2 ½"Dial Size Dual Scale: PSI & Bar (x100=kPa)**
- **4"Dial Size Single Scale: PSI Only**
- **Ambient temperature:** FILLED: 30°F to 160°F
DRY: -30°F to 180°F



Part Numbers:

S215x-xxx x



		A	B	C	D	E	F
2 ½" Dial	In	3.41	2.8	1.33	3.54	¼"	1.1
	MM	87	71	34	90		
4" Dial	In	5.2	4.32	1.7	6.0	¼"	1.48
	MM	132	110	43	152		

RANGE	CODE	Major In	Minor in
30/0"VAC	A	5	0.5
30/0/30	CC	10	1
0/30	C	5	0.5
0/100	E	20	2
0/160	F	20	2

Notes:

- Other Dial Sizes and Ranges are available.
- Other Connections Sizes and Configurations.
- Not all Dial Size / Range Combinations are in stock.
Please call to check stock