

BUFFALO GAUGE INC™

INSTRUMENTATION SERVICES

Your One Stop Instrument Shop

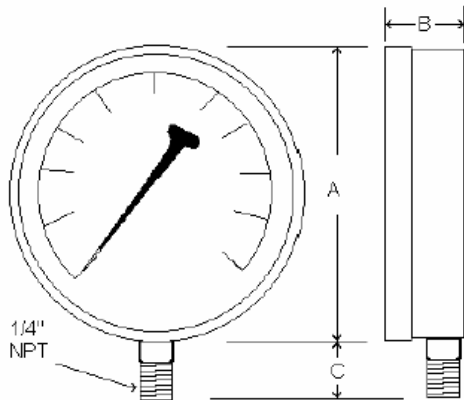


CONTRACTOR GAUGE BOTTOM MOUNT

These gauges have been designed and built with the contractor in mind. With a price that makes this the most attractive gauge for use on any project where bronze internals are suitable for use. Some typical applications are; air, water, gas, oil and steam* (* a pigtail siphon should always be used when putting any gauge into steam service).

STANDARD FEATURES

- Stainless steel case (for rust and corrosion resistance)
- Plastic lens (to resist breakage & won't shatter)
- +/- 1 % full scale accuracy
- Zero adjust screw on dial (for additional fine tuning)
- Large easy to read numbers on single scale PSI only dial



	A	B	C
INCHES	4.9"	1.17"	.97"
MM	124	30	25

PART NUMBER	RANGE	MAJOR	MINOR
CONTRACTOR-4LA	30"HG VAC	5"hg	2"hg
CONTRACTOR-4LCC	30/0/30	5 psi	1 psi
CONTRACTOR-4LCE	30/0/100	10 psi	1 psi
CONTRACTOR-4LCF	30/0/160	25 psi	2.5 psi
CONTRACTOR-4LB	0/15	2.5 psi	.25 psi
CONTRACTOR-4LC	0/30	5 psi	1 psi
CONTRACTOR-4LD	0/60	10 psi	1 psi
CONTRACTOR-4LE	0/100	10 psi	1 psi
CONTRACTOR-4LF	0/160	20 psi	2 psi
CONTRACTOR-4LG	0/200	20 psi	2 psi
CONTRACTOR-4LH	0/300	50 psi	5 psi
CONTRACTOR-4LJ	0/500	50 psi	5 psi

Available Accessories Include:

<p>Diaphragm Seals</p>	<p>Needle Valve & Gauge Valves</p>	<p>Snubbers, Siphons & Accessories</p>