

# BUFFALO GAUGE INC™

## INSTRUMENTATION SERVICES

Your One Stop Instrument Shop



## 501D-UNO OIL FREE SERVICE

Our '501D-UNO' (Use No Oil) gauges have been designed and manufactured for oil free service indicating cylinder pressure of compressed non-corrosive gases or any medium which oxidizes with oil based materials, in applications such as welding, cutting and related processes.

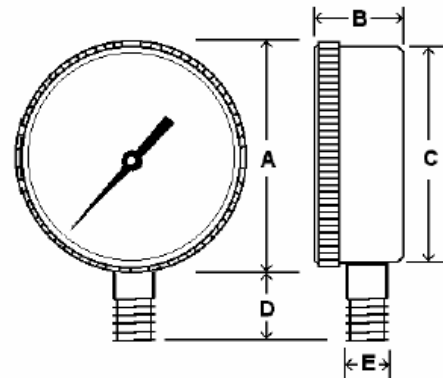
### SPECIFICATIONS:

- Available Dial Sizes: 2 or 2 ½"
- Connection Sizes: 1/4" MNPT
- Highly Polished Brass Case
- Copper Alloy Movement & Connection
- Copper Alloy Bourdon Tube  
(Low Copper Content for use with acetylene)
- Twist-on Plastic Lens
- Dry Gauge, for "Oil Free Service"
- Pressure Relief Disc On Back Of Case
- Accuracy : 2.5 % of Span (Grade B ANSI B40.1)
- Single Scale, PSI only
- Ambient temperature: -4°F to 140°F



RANGE	CODE	Major In	Minor in
0/30	C	5	0.5
0/60	D	10	1
0/100	E	20	2
0/200	G	40	4
0/400	I	50	5
0/4000	Q	500	50

Other Ranges, Dials Sizes and Connection Locations available, please call with your particular application



		A	B	C	D	E
2"	In	2.31	1.2	2.07	1.13	1/4"
	MM	59	31	53	29	
2 ½"	In	2.83	1.13	2.65	1.13	1/4"
	MM	72.0	29	68	29	