

BUFFALO GAUGE INC™

INSTRUMENTATION SERVICES

Your One Stop Instrument Shop



4502 PROCESS GAUGE 4 1/2" BACK MOUNT



STANDARD SPECIFICATIONS:

DIAL: 4 1/2" Diameter

CASE: Phenolic-Solid Front/Blow-Out Back

LENS: Plastic

POINTER: Knife Edge Micro-Adjustable

BOURDON TUBE: 316 Stainless Steel

SOCKET : 316 Stainless Steel

MOVEMENT: 304SS Heavy Duty Bushed

ACCURACY: 0.5 % Full Scale

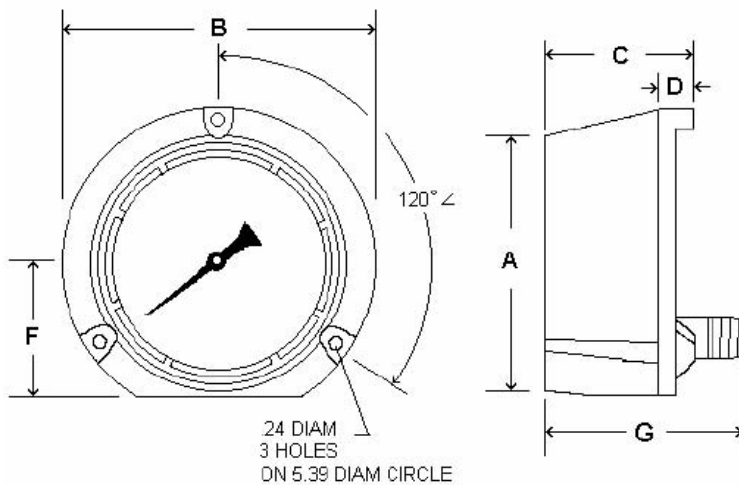
STANDARD FEATURES

*Overload and Underload Stops

*Knife Blade Pointer for Precision Reading

*Hermetically Sealed / Weather Proof

*Liquid Fillable / No Kit Required



| | A | B | C | D | F | G | NPT |
|------|------|------|------|------|------|------|---------|
| INCH | 5.08 | 5.84 | 3.44 | 1.10 | 2.54 | 4.27 | 1/2" or |
| MM | 129 | 148 | 87 | 28 | 65 | 108 | 1/4" |

| RANGE | FIGURES | MINOR |
|--------------|---------------|--------------|
| 30"-0 hg vac | 5" | 0.2" |
| 30"-0-15 | 10" & 5 psi | 1" & 0.5 psi |
| 30"-0-30 | 10" & 5 psi | 1" & 0.5 psi |
| 30"-0-60 | 10" & 10 psi | 2" & 1 psi |
| 30"-0-100 | 10" & 20 psi | 2" & 1 psi |
| 30"-0-150 | 10" & 30 psi | 5" & 2 psi |
| 30"-0-200 | 10" & 50 psi | 5" & 2 psi |
| 30"-0-300 | 10" & 50 psi | 10" & 5 psi |
| 30"-0-600 | 10" & 100 psi | 10" & 10 psi |
| 0-15 psi | 3 psi | 0.2 psi |
| 0-30 psi | 5 psi | 0.2 psi |
| 0-60 psi | 5 psi | 0.5 psi |
| 0-100 psi | 10 psi | 1 psi |
| 0-160 psi | 20 psi | 1 psi |
| 0-200 psi | 20 psi | 2 psi |
| 0-300 psi | 50 psi | 2 psi |
| 0-400 psi | 50 psi | 2 psi |
| 0-600 psi | 50 psi | 5 psi |
| 0-800 psi | 100 psi | 5 psi |
| 0-1000 psi | 100 psi | 10 psi |
| 0-1500 psi | 250 psi | 10 psi |
| 0-2000 psi | 200 psi | 20 psi |
| 0-3000 psi | 500 psi | 20 psi |
| 0-5000 psi | 1,000 psi | 50 psi |
| 0-10,000 psi | 1,000 psi | 100 psi |
| 0-15,000 psi | 2,500 psi | 100 psi |
| 0-20,000 psi | 2,000 psi | 200 psi |