

BUFFALO GAUGE INC™

INSTRUMENTATION SERVICES

Your One Stop Instrument Shop



4001 HEAVY DUTY 4" ALL SS BOTTOM MOUNT

SPECIFICATIONS:

DIAL: 4" Diameter

CASE: Stainless Steel

LENS: Laminated Safety Glass

POINTER: Adjustable

BOURDON TUBE: 316 Stainless Steel

SOCKET : 316 Stainless Steel Welded to Case

MOVEMENT: SS Heavy Duty Bushed
w/ Overload – Underload stops

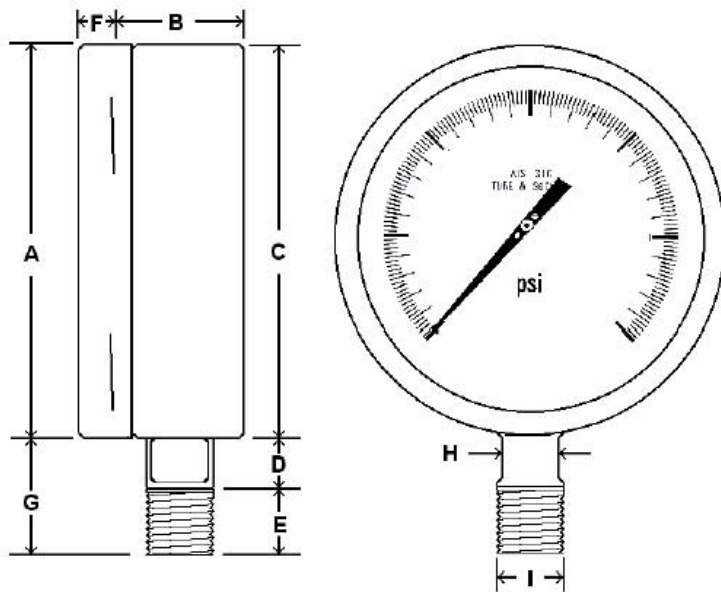
ACCURACY: 0.5% Full Scale

STANDARD FEATURES

*Hermetically Sealed/Weather Proof

*Welded Case and Connection

*Liquid Fillable / No Kit Required



	A	B	C	D	E	F	G	H	I (=NPT)
INCH	4.02	1.93	3.87	.70	.74	.66	1.38	.68	½" or
MM	102	49	98.5	18	19	17	35	17	¼"

RANGE	FIGURES	MINOR
30"-0 hg vac	5"	0.2"
30"-0-15	10" & 5 psi	1" & 0.5 psi
30"-0-30	10" & 5 psi	1" & 0.5 psi
30"-0-60	10" & 10 psi	2" & 1 psi
30"-0-100	10" & 20 psi	2" & 1 psi
30"-0-150	10" & 30 psi	5" & 2 psi
30"-0-200	10" & 50 psi	5" & 2 psi
30"-0-300	10" & 50 psi	10" & 5 psi
30"-0-600	10" & 100	10" & 10
0-15 psi	3 psi	0.2 psi
0-30 psi	5 psi	0.2 psi
0-60 psi	5 psi	0.5 psi
0-100 psi	10 psi	1 psi
0-160 psi	20 psi	1 psi
0-200 psi	20 psi	2 psi
0-300 psi	50 psi	2 psi
0-400 psi	50 psi	2 psi
0-600 psi	50 psi	5 psi
0-800 psi	100 psi	5 psi
0-1000 psi	100 psi	10 psi
0-1500 psi	250 psi	10 psi
0-2000 psi	200 psi	20 psi
0-3000 psi	500 psi	20 psi
0-5000 psi	1,000 psi	50 psi
0-10,000 psi	1,000 psi	100 psi
0-15,000 psi	2,500 psi	100 psi
0-20,000 psi	2,000 psi	200 psi