

BUFFALO GAUGE INC™

INSTRUMENTATION SERVICES

Your One Stop Instrument Shop



204L LIQUID FILLED PANEL MOUNT

Our '200' series gauge line is a high quality line of liquid filled gauges. The glycerine filling helps dampen the effects of pulsation and vibration, while also perpetually lubricating the movement, keeping contaminants such as dirt away from all moving parts, which will extend the life of the gauge.

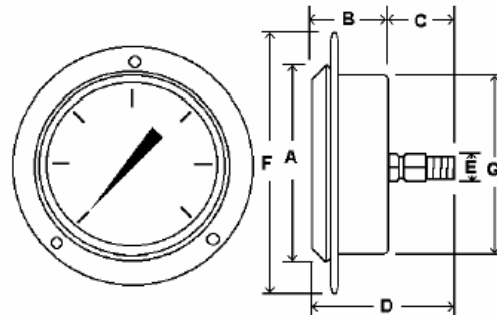
This gauge has been specifically designed with the original equipment manufacturers in mind and is typically used on hydraulic & pneumatic systems as well as any commercial or industrial application not corrosive to brass and bronze wetted parts where glycerine filling is suitable for use.

SPECIFICATIONS:

- **Front Flanged Panel Mount Design**
- **Dial Sizes:** 1 1/2", 2", 2 1/2", 3 1/2", 4"
- **Connection Sizes:**
1/8" MNPT on 1 1/2" and 2"
1/4" MNPT on 2", 2 1/2", 3 1/2" and 4"
- **Stainless Steel Case And Bezel**
- **Brass Internals & Connection** (with built-in snubber)
- **Phosphor Bronze Bourdon Tube**
- **Plastic Lens**
- **Liquid Filled (Dry Available)**
- **Accuracy :** 1 1/2" or 2" Dial Size = 3-2-3 %
2 1/2" Dial Size = 1.5 %
3 1/2" or 4" Dial Size = 1 %
- **Dual Scale: PSI & Bar (x100=kPa)**
Single Scale available from stock
- **Ambient temperature:** FILLED: 30°F to 160°F
DRY: -30°F to 180°F



RANGE	CODE	Major In	Minor inc.
30/0" VAC	A	5	0.5
30/0/15	CB	5	0.5
30/0/30	CC	10	1
30/0/60	CD	10	1
30/0/100	CE	20	2
30/0/150	CF	20	2
30/0/300	CH	50	10
0/15	B	2	0.2
0/30	C	5	0.5
0/60	D	10	1
0/100	E	20	2
0/160	F	20	2
0/200	G	40	5
0/300	H	50	5
0/400	I	50	5
0/600	K	100	10
0/1000	M	200	20
0/1500	N	200	20
0/2000	O	400	50
0/3000	P	500	50
0/5000	R	1000	100
0/10,000	U	1000	100
0/15,000	V	2000	200



		A	B	C	D	E	F	G
1 1/2"	In	1.88	1.06	.89	1.95	1/8"	2.46	1.63
	Dial MM	48	27	23	50	Npt	63	42
2"	In	2.23	1.09	.71	1.99	1/8" or	2.81	2.00
	Dial MM	57	28	23	51	1/4" npt	72	51
2 1/2"	In	2.80	1.28	1.19	2.46	1/4"	3.48	2.50
	Dial MM	71	33	30	63	Npt	88	64
3 1/2"	In	3.83	1.14	1.08	2.20	1/4"	5.19	3.5
	Dial MM	97	29	27	56	Npt	132	89
4"	In	4.32	1.63	1.14	2.77	1/8" or	5.20	3.87
	Dial MM	110	42	29	71	1/4" Npt	132	98

Note: All Gauge sizes are Center Back Connection Except 3 1/2" which are Lower Back Connection